

PARTS LIST

CAUTION

- The parts identified by the \triangle symbol are important for the safety. Whenever replacing these parts, be sure to use specified ones to secure the safety.
- The parts not indicated in this Parts List and those which are filled with lines — in the Parts No. columns will not be supplied.
- P. W. Board Ass'y will not be supplied, but those which are filled with the Parts No. in the Parts No. columns will be supplied.

ABBREVIATIONS OF RESISTORS, CAPACITORS AND TOLERANCES

RESISTORS		CAPACITORS	
C R	Carbon Resistor	C CAP.	Ceramic Capacitor
F R	Fusible Resistor	E CAP.	Electrolytic Capacitor
P R	Plate Resistor	M CAP.	Mylar Capacitor
V R	Variable Resistor	HV CAP.	High Voltage Capacitor
HV R	High Voltage Resistor	MF CAP.	Metalized Film Capacitor
MF R	Metal Film Resistor	MM CAP.	Metalized Mylar Capacitor
MG R	Metal Glazed Resistor	MP CAP.	Metalized Polystyrol Capacitor
MP R	Metal Plate Resistor	PP CAP.	Polypropylene Capacitor
OM R	Metal Oxide Film Resistor	PS CAP.	Polystyrol Capacitor
CMF R	Coating Metal Film Resistor	TF CAP.	Thin Film Capacitor
UNF R	Non-Flammable Resistor	MPP CAP.	Metalized Polypropylene Capacitor
CH V R	Chip Variable Resistor	TAN. CAP.	Tantalum Capacitor
CH MG R	Chip Metal Glazed Resistor	CH C CAP.	Chip Ceramic Capacitor
COMP. R	Composition Resistor	BP E CAP.	Bi-Polar Electrolytic Capacitor
LPTC R	Linear Positive Temperature Coefficient Resistor	CH AL E CAP.	Chip Aluminum Electrolytic Capacitor
NETW R	Network Resistor	CH AL BP CAP.	Chip Aluminum Bi-Polar Capacitor
		CH TAN. E CAP.	Chip Tantalum Electrolytic Capacitor
		CH AL BP E CAP.	Chip Tantalum Bi-Polar Electrolytic Capacitor

TOLERANCES									
F	G	J	K	M	N	R	H	Z	P
±1%	±2%	±5%	±10%	±20%	±30%	+30%	+50%	+80%	+100%
						-10%	-10%	-20%	-0%

CONTENTS

- P.W. BOARD 28
- EXPLODED VIEW PARTS LIST 28
- EXPLODED VIEW 29
- PRINTED WIRING BOARD PARTS LIST
 - MAIN PW BOARD ASS'Y 30
- PACKING PARTS LIST 34
- PACKING 34
- REMOTE CONTROL UNIT PARTS LIST 35

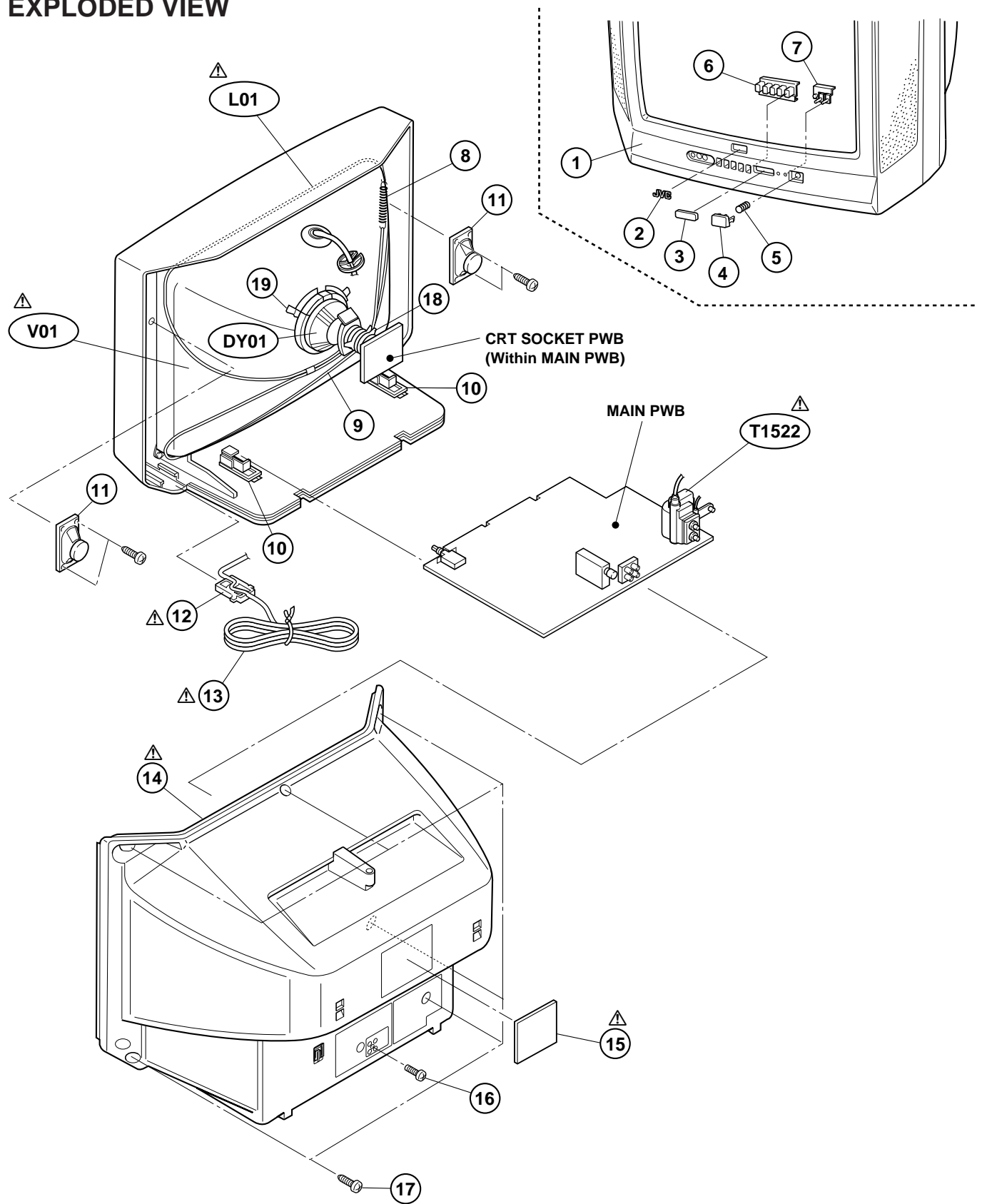
P.W. BOARD

P.W.B. ASS'Y	Part No.
MAIN P.W.B.	SCG-1233A-H2

EXPLODED VIEW PARTS LIST

△ Ref.No.	Part No.	Part Name	Description	Local
△ V01	A51JSY33X/C/	PICTURE TUBE		
DY01	QQD0041-001	DEF YOKE		
△ L01	QQW0076-001	DEGAUSSING COIL		
△ T1522	QQH0069-001	H.V. TRANSF.		
1	LC10394-026A-H	FRONT CABINET		
2	CM48006-007-C	JVC MARK		
3	LC30617-001C-H	E.E. WINDOW		
4	LC30616-004A-H	POWER KNOB		
5	CM35235-006-H	SPRING		
6	LC20292-004A-H	CONTROL KNOB		
7	LC30618-001A-H	LED LENS		
8	A48457-3-H	SPRING		
9	CHGB0016-0B-FH	BRAIDED ASSY		
10	CM36623-B01-H	CHASSIS RAIL	(x2)	
11	QAS0036-001	SPEAKER	(x2) SP01	
△ 12	CM47005-A01-H	CORD CLAMP		
△ 13	QMP40D0-200J5	POWER CORD	or QMP40D0-200J3	
△ 14	LC10448-002B-H	REAR COVER		
△ 15	LC20377-010B-H	RATING LABEL		
16	QYSBSF3010Z	TAPPING SCREW		
17	QYSBSFG4016Z	TAPPING SCREW	(x6)	
18	A75034-B	PC MAGNET	or CE42378-00B	
19	CE40764-00A	WEDGE ASSY	(x3)	

EXPLODED VIEW



△ Symbol No. Part No. Part Name Description Local

CAPACITOR

C1712	NCB21HK-103X	CH C CAP.	0.01μF	50V	K
C1713	NCB21HK-103X	CH C CAP.	0.01μF	50V	K
C1714	NDC21HJ-330X	CH C CAP.	33pF	50V	J
C1715	NDC21HJ-330X	CH C CAP.	33pF	50V	J
C1716	NDC21HJ-181X	CH C CAP.	180pF	50V	J
C1717	NDC21HJ-181X	CH C CAP.	180pF	50V	J
C1718	NCB21HK-103X	CH C CAP.	0.01μF	50V	K
C1719	QETN1HM-105Z	E CAP.	1μF	50V	M
C1720	NCB21HK-103X	CH C CAP.	0.01μF	50V	K
C1721	NCB21HK-333X	CH C CAP.	0.033μF	50V	K
C1722	NDC21HJ-101X	CH C CAP.	100pF	50V	J
C1724	NDC21HJ-560X	CH C CAP.	56pF	50V	J
C1728	NDC21HJ-181X	CH C CAP.	180pF	50V	J
C1729	NDC21HJ-181X	CH C CAP.	180pF	50V	J
C1730	NCB21HK-103X	CH C CAP.	0.01μF	50V	K
C1738	QETN1HM-226Z	E CAP.	22μF	50V	M
C1744	NCB21HK-103X	CH C CAP.	0.01μF	50V	K
C1805	QETN1CM-227Z	E CAP.	220μF	16V	M
C1806	QETN1CM-477Z	E CAP.	470μF	16V	M
C1811	QETN1HM-106Z	E CAP.	10μF	50V	M
C1841	NCB21HK-152X	CH C CAP.	1500pF	50V	J
△ C1901	QFZ9040-104	MF CAP.	0.1μF	AC275V	M
C1904	QCZ9078-222	C CAP.	2200pF	AC250V	M
C1905	QCZ9078-222	C CAP.	2200pF	AC250V	M
C1907	QCZ9078-222	C CAP.	2200pF	AC250V	M
C1909	QEZO476-127	E CAP.	120μF	400V	M
△ C1910	QFZ9040-473	MF CAP.	0.047μF	AC275V	M
C1922	QFLC1HJ-471Z	M CAP.	470pF	50V	J
C1924	QETN1VM-107Z	E CAP.	100μF	35V	M
C1926	QFLC1HJ-332Z	M CAP.	3300pF	50V	J
C1928	NCB21HK-473X	CH C CAP.	0.047μF	50V	K
C1929	QFP32GJ-223Z	PP CAP.	0.022μF	400V	J
C1930	QCZ0325-561	C CAP.	560pF	2kV	K
C1931	QCZ0325-151	C CAP.	150pF	2kV	K
C1932	QCZ0325-151	C CAP.	150pF	2kV	K
C1941	QCZ0122-561	C CAP.	560pF	2kV	K
C1942	QEZO420-107	E CAP.	100μF	160V	M
C1945	QEHR1CM-108Z	E CAP.	1000μF	16V	M
C1946	QEHR1CM-477Z	E CAP.	470μF	16V	M
C1948	QEHR1VM-108Z	E CAP.	1000μF	35V	M
C1949	NDC21HJ-471X	CH C CAP.	470pF	50V	J
C1950	NCB21HK-104X	CH C CAP.	0.1μF	50V	K
C1971	QETN1HM-475Z	E CAP.	4.7μF	50V	M
C1976	QETN1HM-105Z	E CAP.	1μF	50V	M
C1977	QETN1CM-477Z	E CAP.	470μF	16V	M
C1978	QETN1CM-227Z	E CAP.	220μF	16V	M
C1979	QETN1CM-107Z	E CAP.	100μF	16V	M
△ C1991	QCZ9079-471	C CAP.	470pF	AC250V	K
△ C1992	QCZ9079-471	C CAP.	470pF	AC250V	K
△ C1993	QCZ9079-102	C CAP.	1000pF	AC250V	K

TRANSFORMER

△ T1522	QQH0069-001	H.V. TRANSF.
△ T1921	QSQ0050-001	SW TRANSF.

COIL

L1001	QQL244K-8R2Z	COIL	8.2μH	K
L1101	QQL2014-2R2	COIL	2.2μH	
L1103	QQL244K-8R2Z	COIL	8.2μH	K
L1351	QQL244K-470Z	COIL	47μH	K
L1352	QQL244K-470Z	COIL	47μH	K
L1353	QQL244K-470Z	COIL	47μH	K
L1523	QQL342J-2R2Z	INDUCTOR		
L1551	QQL2026-410	HEATER CHOKE		
L1701	QQL244J-5R6Z	COIL		
L1941	QQL26AK-820Z	CHOKE COIL		
L1942	QQL26AK-820Z	CHOKE COIL		
L1943	QQL26AK-820Z	CHOKE COIL		

△ Symbol No. Part No. Part Name Description Local

DIODE

D1001	MA3330/L/-X	CHIP ZENER DIODE
D1102	1S585-T2	SI DIODE
D1301	MA3091/M/-X	CHIP ZENER DIODE
D1302	MA3091/M/-X	CHIP ZENER DIODE
D1305	RB100A-T2	SI DIODE
D1341	MA111-X	CHIP DIODE
D1342	MA111-X	CHIP DIODE
D1351	MA3056/L/-X	CHIP ZENER DIODE
D1352	MA3056/L/-X	CHIP ZENER DIODE
D1353	MA3056/L/-X	CHIP ZENER DIODE
D1354	MA111-X	CHIP DIODE
D1355	MA111-X	CHIP DIODE
D1356	MA111-X	CHIP DIODE
D1421	MA3360/M/-X	CHIP ZENER DIODE
D1422	MA3360/M/-X	CHIP ZENER DIODE
D1423	1SR124-400A-T2	SI DIODE
D1424	MA111-X	CHIP DIODE
D1425	MA111-X	CHIP DIODE
D1427	MA3270/H/-X	CHIP ZENER DIODE
D1551	RGPI0J-TS-T3	SI DIODE
D1552	RH1S-T3	SI DIODE
D1553	MA3091/M/-X	CHIP ZENER DIODE
D1554	MA111-X	CHIP DIODE
D1555	1SR124-400A-T2	SI DIODE
D1571	MA3075/M/-X	CHIP ZENER DIODE
D1581	MA3200/M/-X	CHIP ZENER DIODE
D1582	RGPI0J-TS-T3	SI DIODE
D1651	MA111-X	CHIP DIODE
D1652	MA111-X	CHIP DIODE
D1653	MTZJ18A-T2	ZENER DIODE
D1701	MA111-X	CHIP DIODE
D1704	L-132XID-T16	LED (RED)
D1705	L-132XND-T16	LED (ORG)
D1706	MA111-X	CHIP DIODE
D1707	MA111-X	CHIP DIODE
D1731	MA111-X	CHIP DIODE
D1791	MA3056/M/-X	CHIP ZENER DIODE
D1792	MA3056/M/-X	CHIP ZENER DIODE
D1793	MA3056/M/-X	CHIP ZENER DIODE
D1794	MA3056/M/-X	CHIP ZENER DIODE
D1795	MA3056/M/-X	CHIP ZENER DIODE
D1901	G2SBA60	BRIDGE DIODE
D1921	RGPI0J-TS-T3	SI DIODE
D1922	MA111-X	CHIP DIODE
D1923	MA111-X	CHIP DIODE
D1924	MA111-X	CHIP DIODE
D1926	MA3056/M/-X	CHIP ZENER DIODE
D1927	MA3068/M/-X	CHIP ZENER DIODE
D1929	RD12E/B2/-T5	ZENER DIODE
D1930	EG1A-T3	SI DIODE
D1932	MA111-X	CHIP DIODE
D1933	RD27E/B2/-T5	ZENER DIODE
D1941	RU3AM-LFC4	SI DIODE
D1942	RU3YX-LFC4	SI DIODE
D1943	RGPI0J-TS-T3	SI DIODE
D1945	MA3075/H/-X	CHIP ZENER DIODE
D1982	MA111-X	CHIP DIODE
D1983	MA111-X	CHIP DIODE

TRANSISTOR

Q1102	2SC5083/L-P/-T	SI TRANSISTOR
Q1103	DTC124EKA-X	DIGI TRANSISTOR
Q1301	2SA1037AK/QR/-X	SI TRANSISTOR
Q1302	2SC2412K/QR/-X	CHIP TRANSISTOR
Q1351	2SC3271F	SI TRANSISTOR
Q1352	2SC3271F	SI TRANSISTOR
Q1353	2SC3271F	SI TRANSISTOR
Q1401	DTC124ESA-T	DIGI TRANSISTOR
Q1402	2SC2412K/QR/-X	CHIP TRANSISTOR
Q1521	2SK3065-W	SI TRANSISTOR
Q1522	BU808DFI-154Y	POWER TRANSISTOR
Q1523	2SC2412K/QR/-X	CHIP TRANSISTOR
Q1524	2SC2412K/QR/-X	CHIP TRANSISTOR
Q1571	2SA1208/ST/Z1-T	SI TRANSISTOR

H. OUT

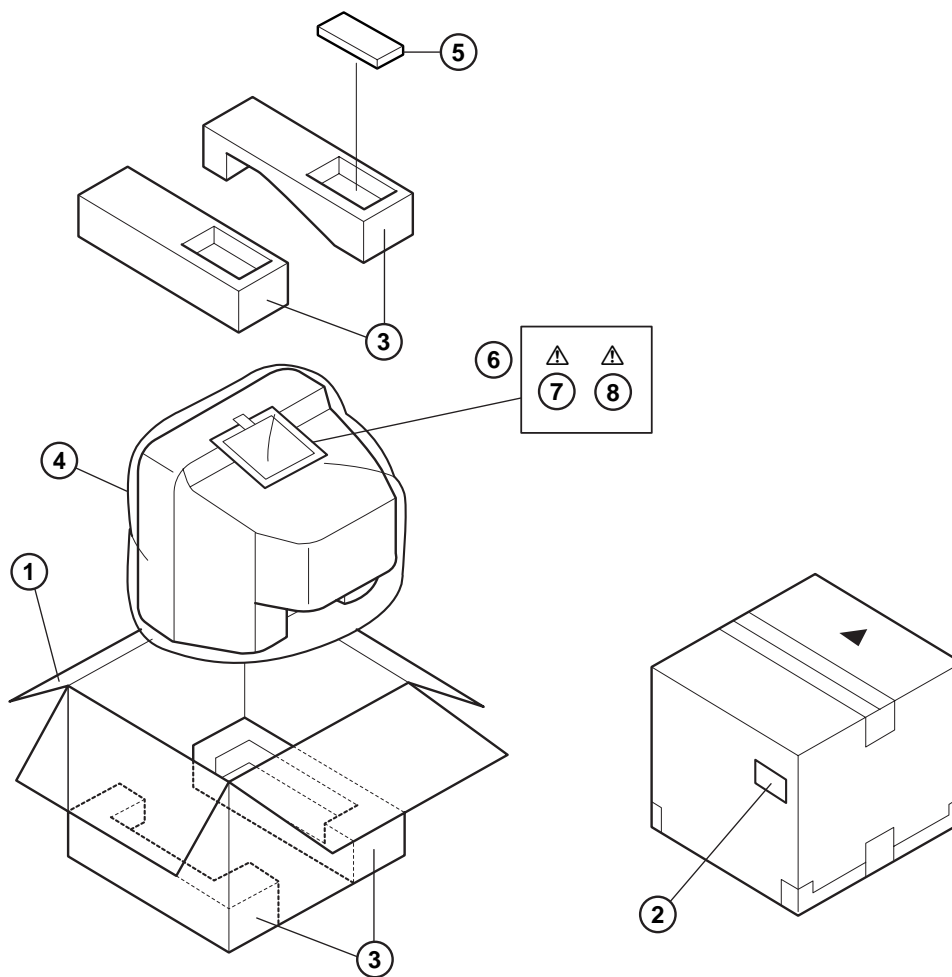
△ Symbol No.	Part No.	Part Name	Description	Local
TRANSISTOR				
Q1572	2SC2412K/QR/-X	CHIP TRANSISTOR		
Q1651	2SA1037AK/QR/-X	SI TRANSISTOR		
Q1652	DTC323TK-X	DIGI TRANSISTOR		
Q1654	2SC2412K/QR/-X	CHIP TRANSISTOR		
Q1655	2SC2412K/QR/-X	CHIP TRANSISTOR		
Q1702	2SC2412K/QR/-X	CHIP TRANSISTOR		
Q1703	2SC2412K/QR/-X	CHIP TRANSISTOR		
Q1708	DTC124EKA-X	DIGI TRANSISTOR		
Q1709	2SA1037AK/QR/-X	SI TRANSISTOR		
Q1803	2SC1815/YG/-T	SI TRANSISTOR		
Q1804	2SC2412K/QR/-X	CHIP TRANSISTOR		
Q1941	2SC2412K/QR/-X	CHIP TRANSISTOR		
Q1943	DTC114EKA-X	CHIP TRANSISTOR		
Q1974	2SA966/OY/-T	SI TRANSISTOR		
Q1975	DTC124EKA-X	DIGI TRANSISTOR		
IC				
IC1301	NN5198K	IC		
IC1421	AN5539-LF	IC		
IC1651	LA4287	IC		
IC1652	SI-5001X-X	IC		
IC1701	MN1873287JA	IC (MICROCOMPUTER)		
IC1702	AT24C08-21FTR	IC (MEMORY)	(Service)	
IC1703	L78LR05E-MA	IC (5V REG/RESET)		
IC1704	PIC-28143SY	IR DETECT UNIT		
IC1921	STR-G6653	IC (SW REG)		
IC1941	SE115N-LF12	IC		
IC1971	BA51W125T-V5	IC (5V/9V REG)		
OTHERS				
	CM35921-005-H	CDS HOLDER		
	LC30114-001C-H	LED HOLDER		
△ CP1981	ICP-N75-Y	IC PROTECTOR		
△ CP1982	ICP-N75-Y	IC PROTECTOR		
△ F1901	QMF51E2-3R15J4	FUSE	3.15A	
FC1901	CEMG002-001Z	FUSE CLIP (x2)		
J1002	CEMN075-001	PIN JACK		
J1003	QNN0281-003	PIN JACK		
J1004	QNN0281-002	PIN JACK		
J1005	QNS0165-001	3.5 JACK		
K1001	QQR0621-002Z	BEADS CORE		
K1351	QQR0621-002Z	BEADS CORE		
K1421	QQR0582-001Z	BEADS CORE		
K1921	QQR1113-001Z	FERRITE BEADS		
K1922	QQR1113-001Z	FERRITE BEADS		
K1923	QQR1114-001Z	FERRITE BEADS		
K1924	QQR1113-001Z	FERRITE BEADS		
K1941	QQR1113-001Z	FERRITE BEADS		
K1942	QQR1113-001Z	FERRITE BEADS		
K1943	QQR1113-001Z	FERRITE BEADS		
△ LF1901	QQR0527-002	LINE FILTER		
PC1701	P1241-04	CDS		
△ PC1921	PC123F2	PHOTO COUPLER		
S1701	QSW0619-003Z	PUSH SWITCH	VOL+	
S1702	QSW0619-003Z	PUSH SWITCH	VOL-	
S1703	QSW0619-003Z	PUSH SWITCH	CH+	
S1704	QSW0619-003Z	PUSH SWITCH	CH-	
S1705	QSW0619-003Z	PUSH SWITCH	MENU	
△ S1901	QSW0750-001	PUSH SWITCH	POWER	
SF1102	QAX0594-001	SAW FILTER		
SF1122	QAX0325-001	SAW FILTER		
△ SK1351	CE42446-001	CRT SOCKET		
TH1901	QAD0119-9R0	P THERMISTOR		
TU1001	QAU0185-001	TUNER		
△ VA1901	ERZV10V621CS	VARISTOR		
X1301	QAX0500-001Z	CRYSTAL		
X1302	CE42690-001Z	CRYSTAL		
X1701	FCR12.0M2S	C RESONATOR		

△ Symbol No.	Part No.	Part Name	Description	Local
--------------	----------	-----------	-------------	-------

PACKING PARTS LIST

△ Ref.No.	Part No.	Part Name	Description	Local
1	GG10056-005A-H	PACKING CASE		
2	CM47385-00B-H	POS/SERIAL LABEL		
3	LC10516-002A-H	CUSHION ASSY	4 pcs. in 1 set	
4	CP30967-003-H	POLY BAG		
5	RM-C364-1H	RIMOCON UNIT		
6	CP30966-001-H	POLY BAG		
△ 7	LCT0748-001A-H	INST BOOK		
△ 8	LCT0749-001A-H	DIGEST MANUAL		

PACKING



REMOTE CONTROL UNIT PARTS LIST (RM-C364-1H)

△ Ref.No.	Part No.	Part Name	Description	Local
	3139 224 20073	BATTERY COVER		